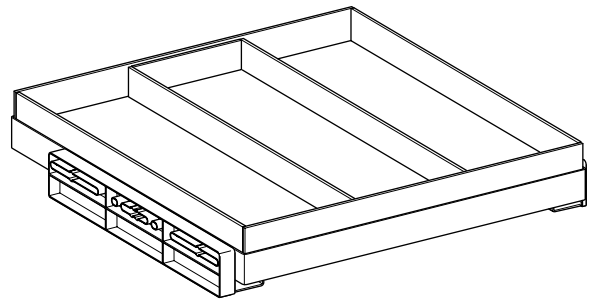
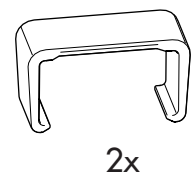
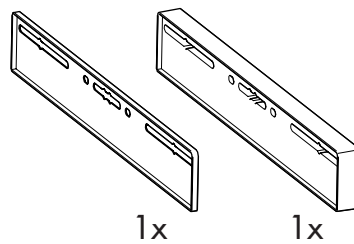
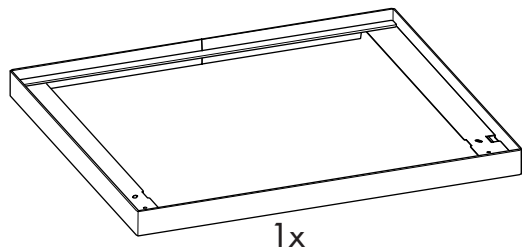
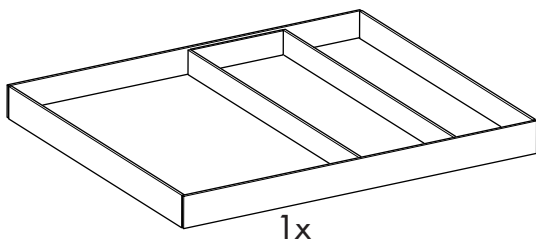
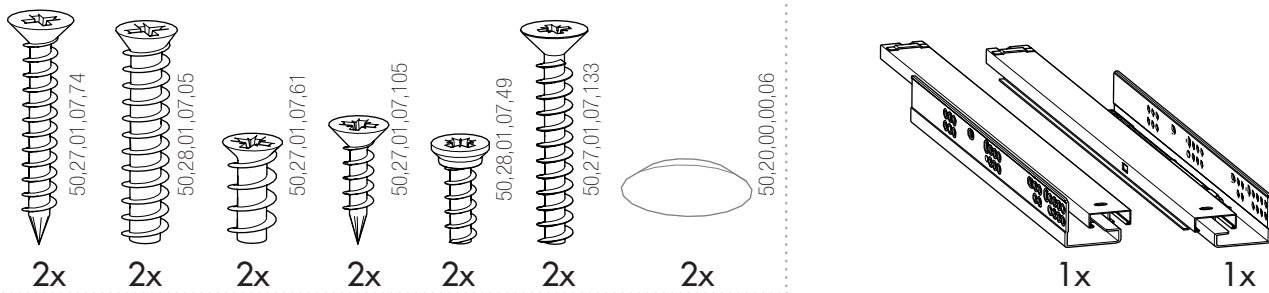


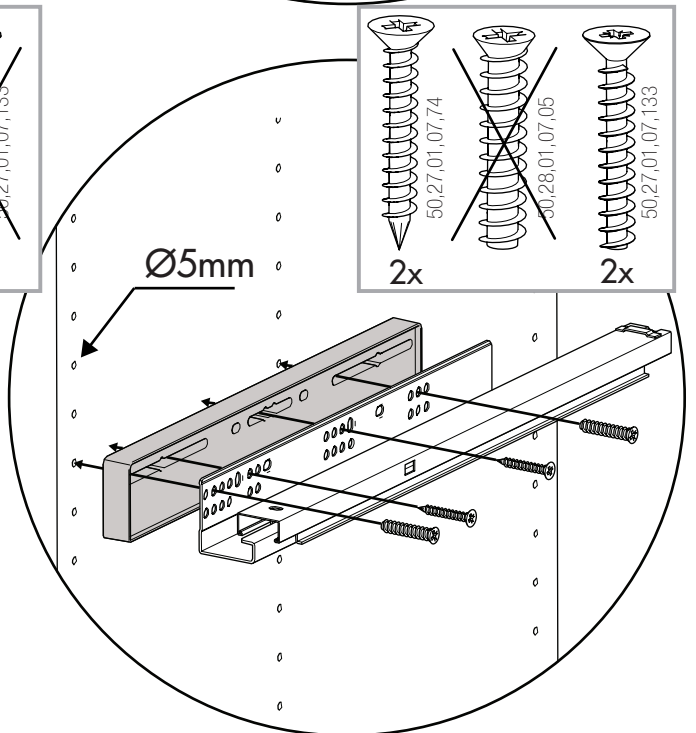
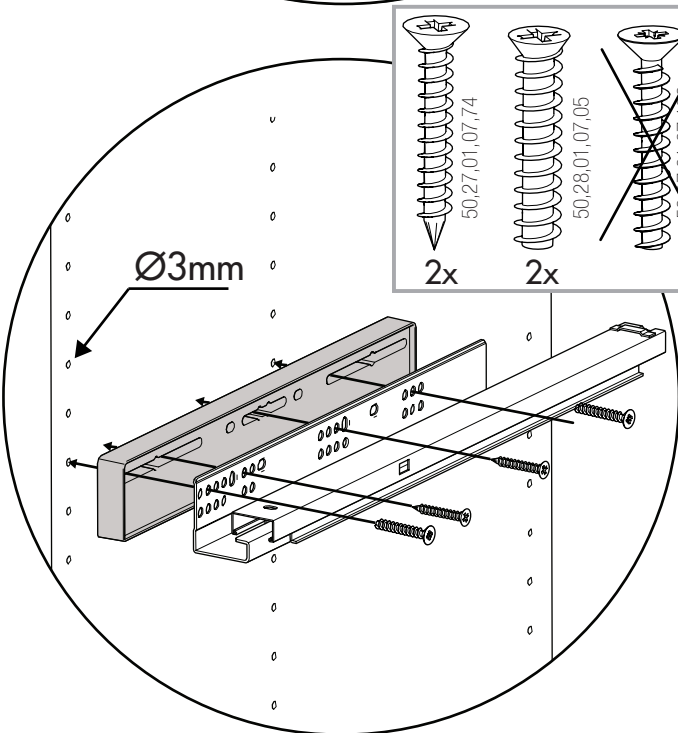
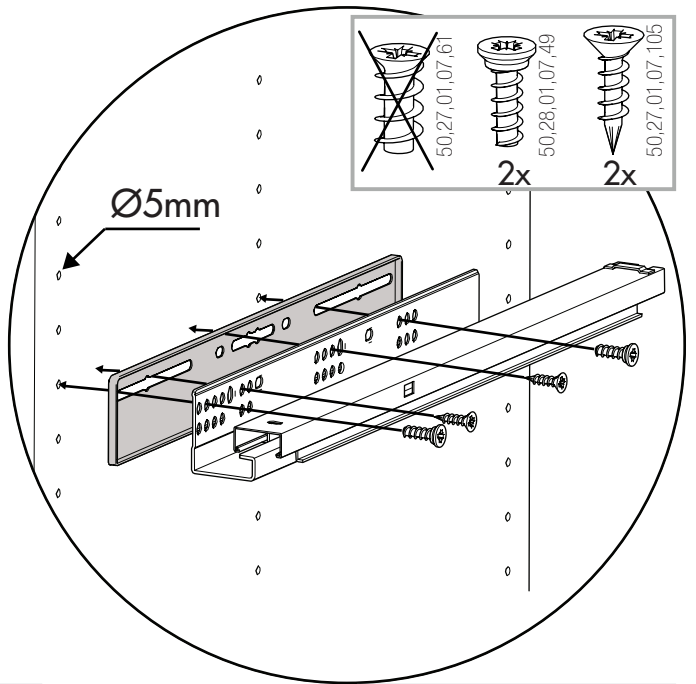
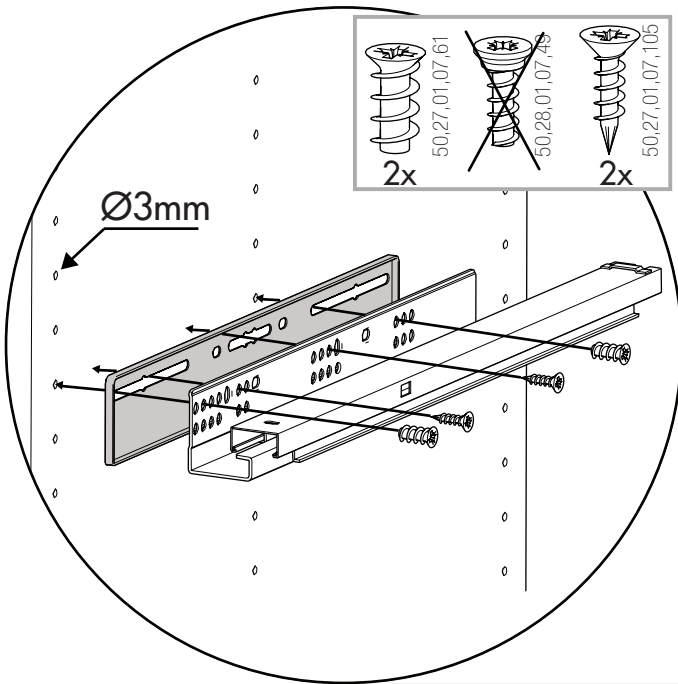
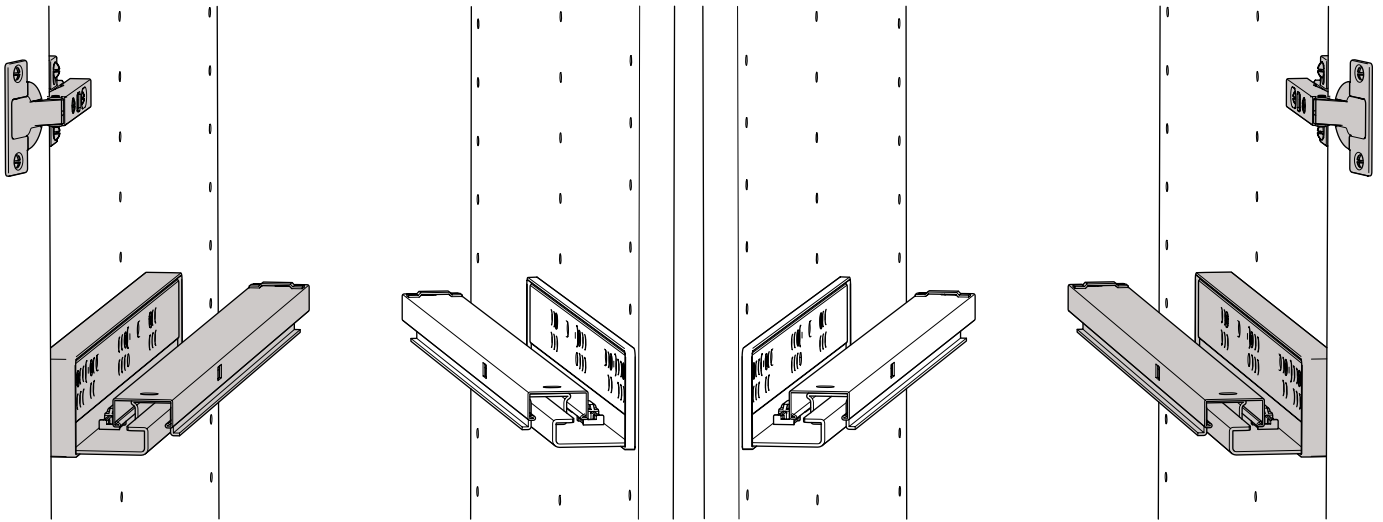
The Foundation

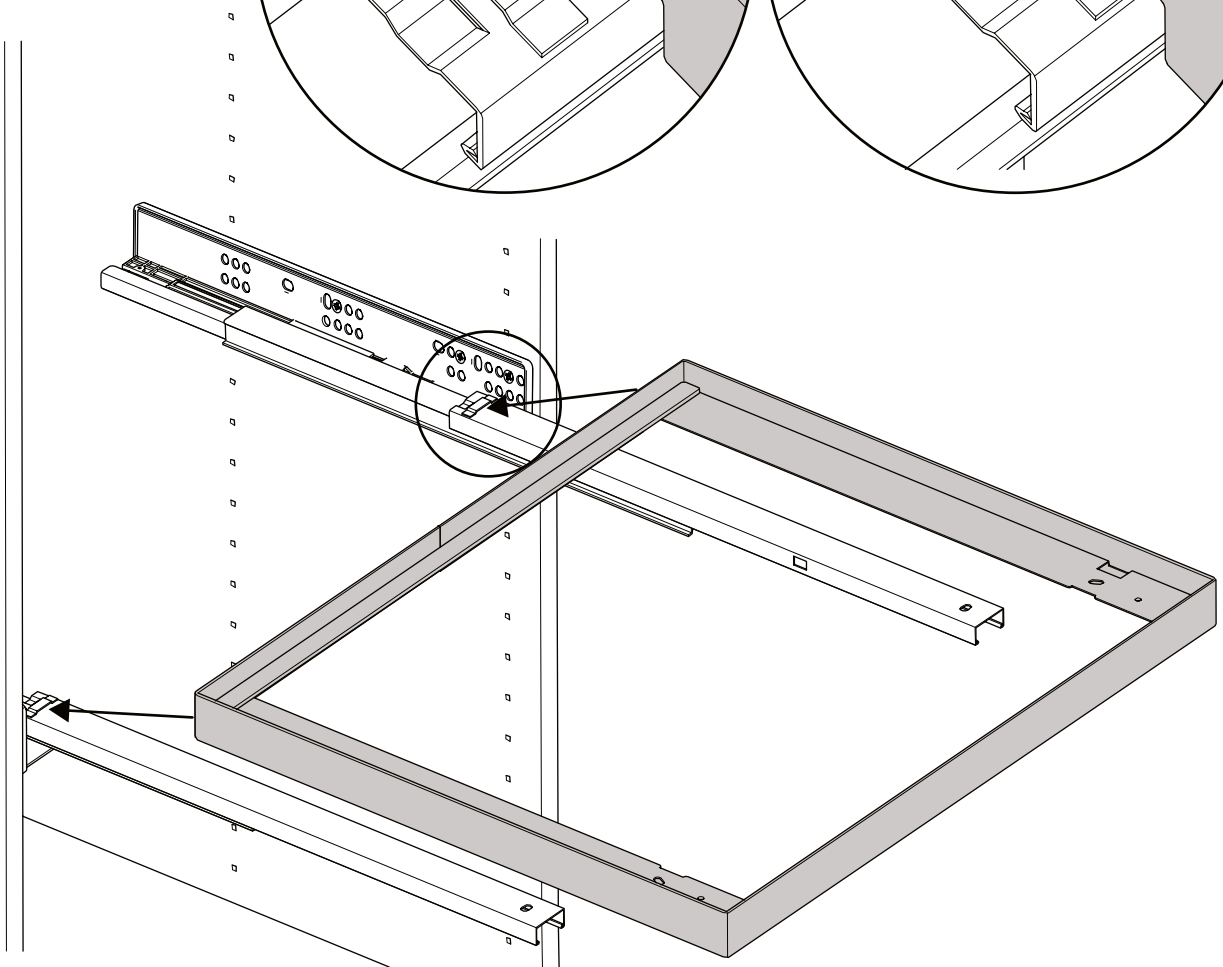
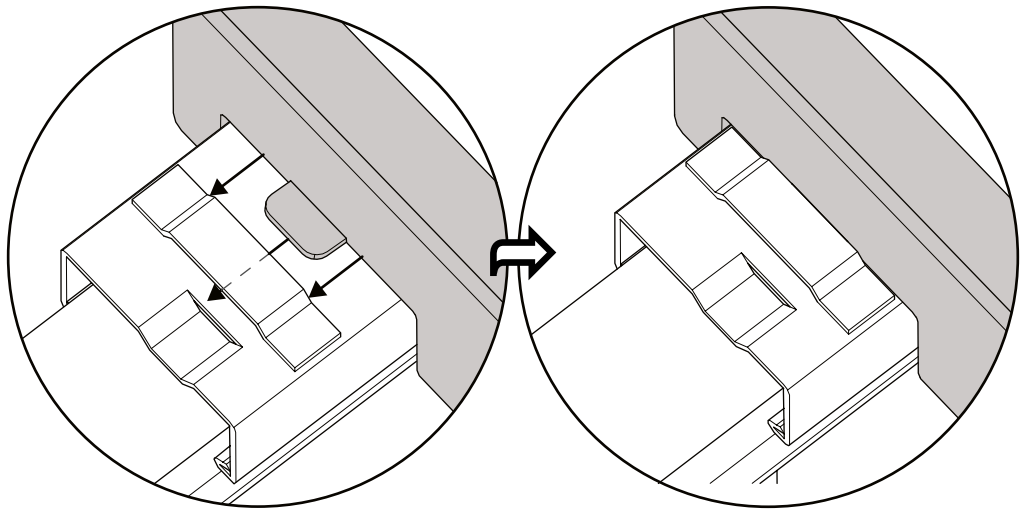
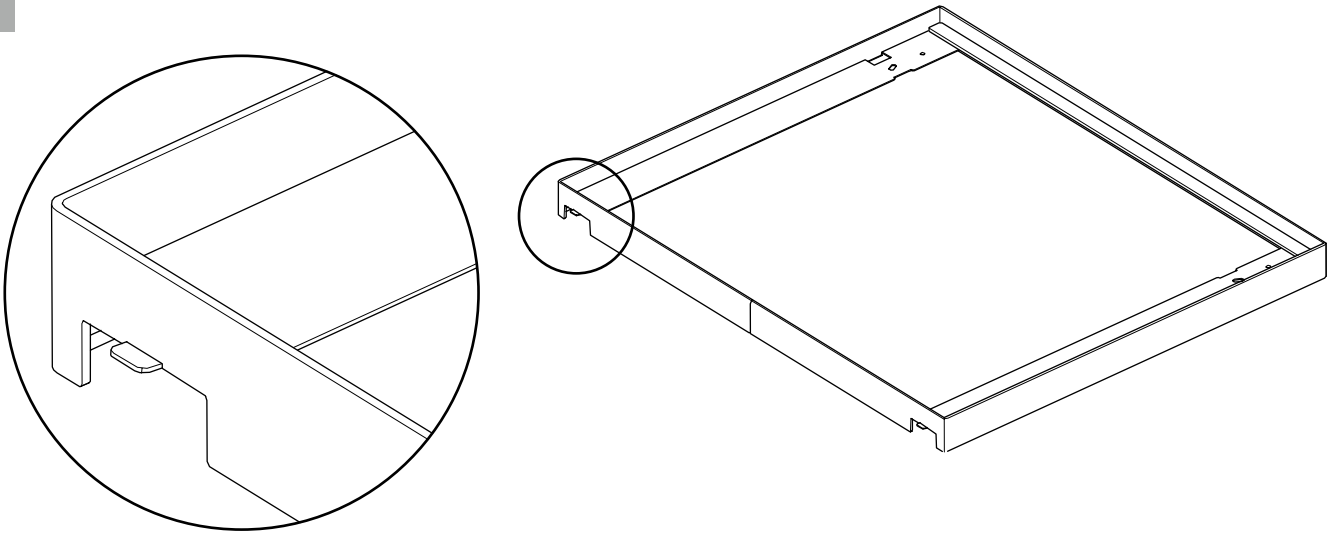


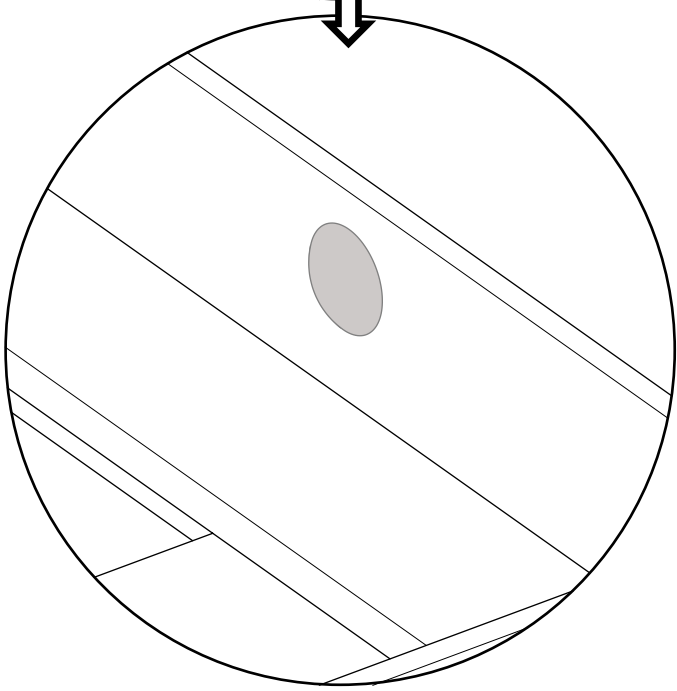
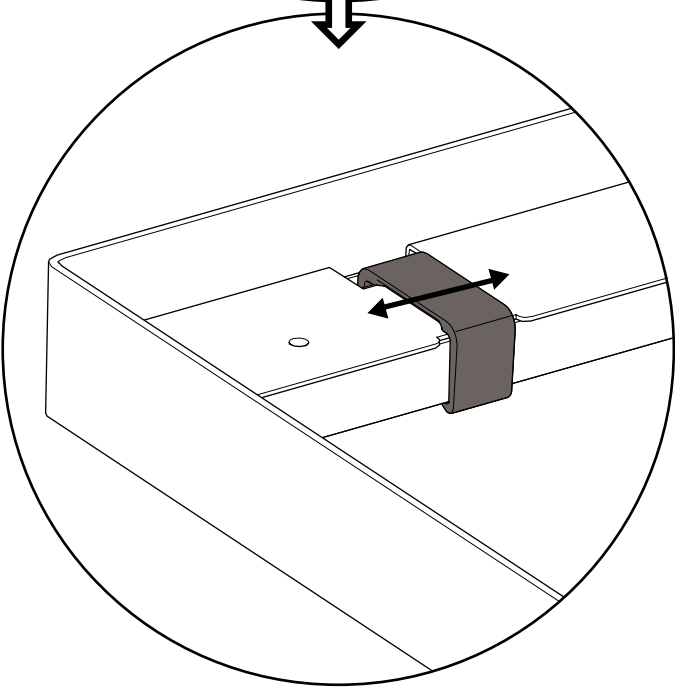
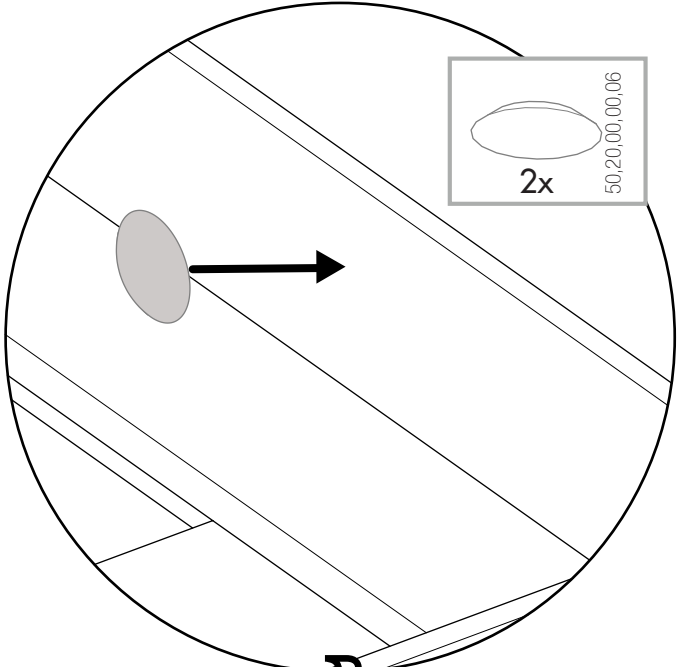
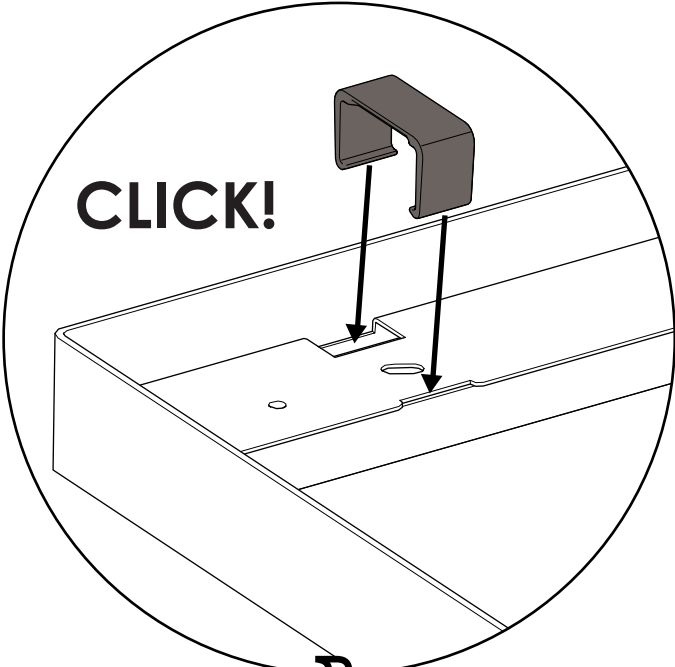
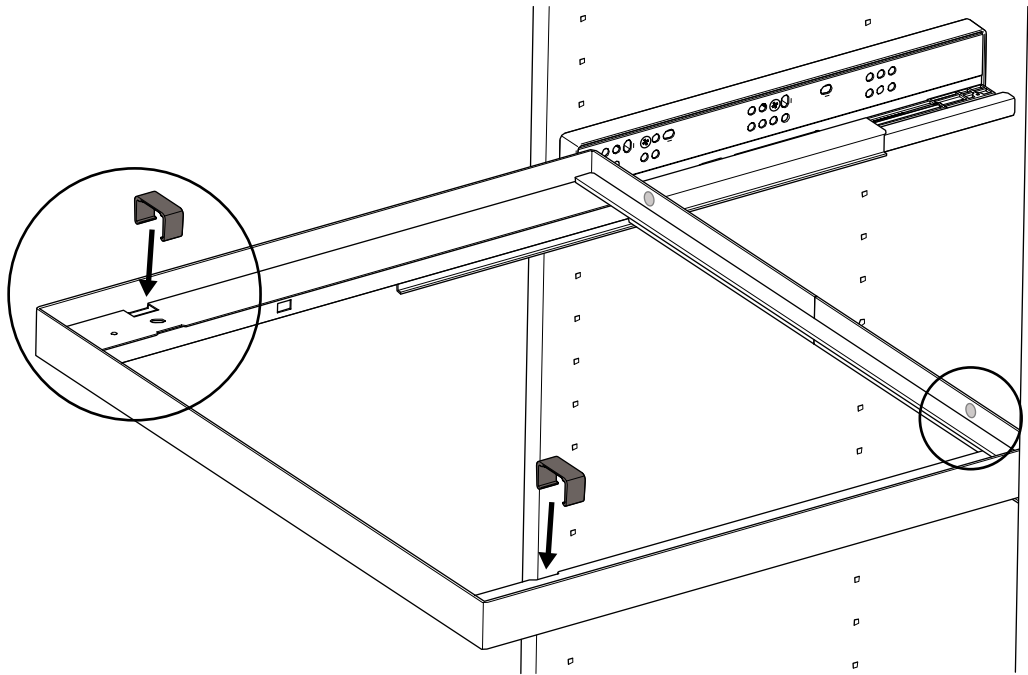
Tray Wood Accessories 400-600

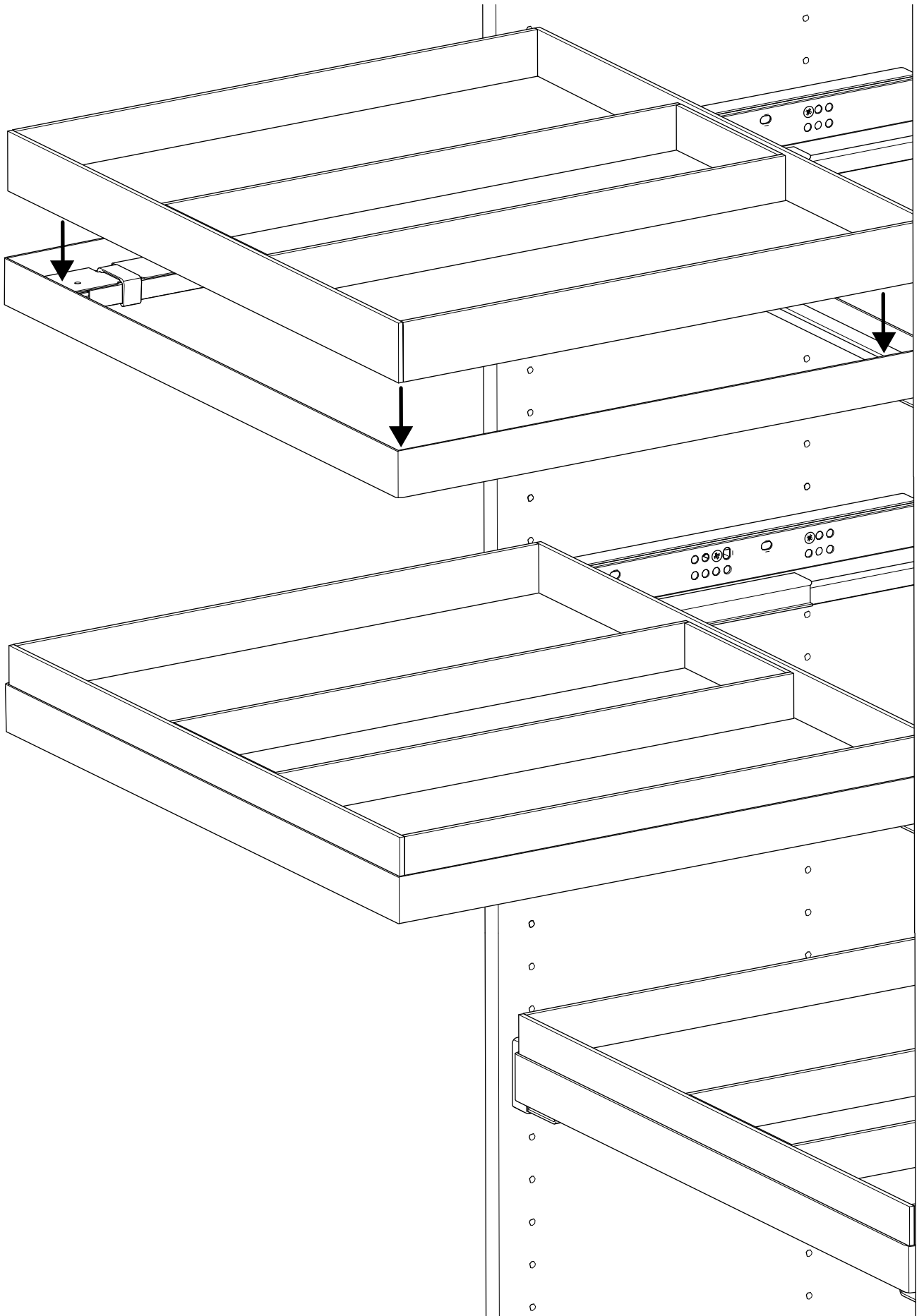
5258 5259 5260 5261

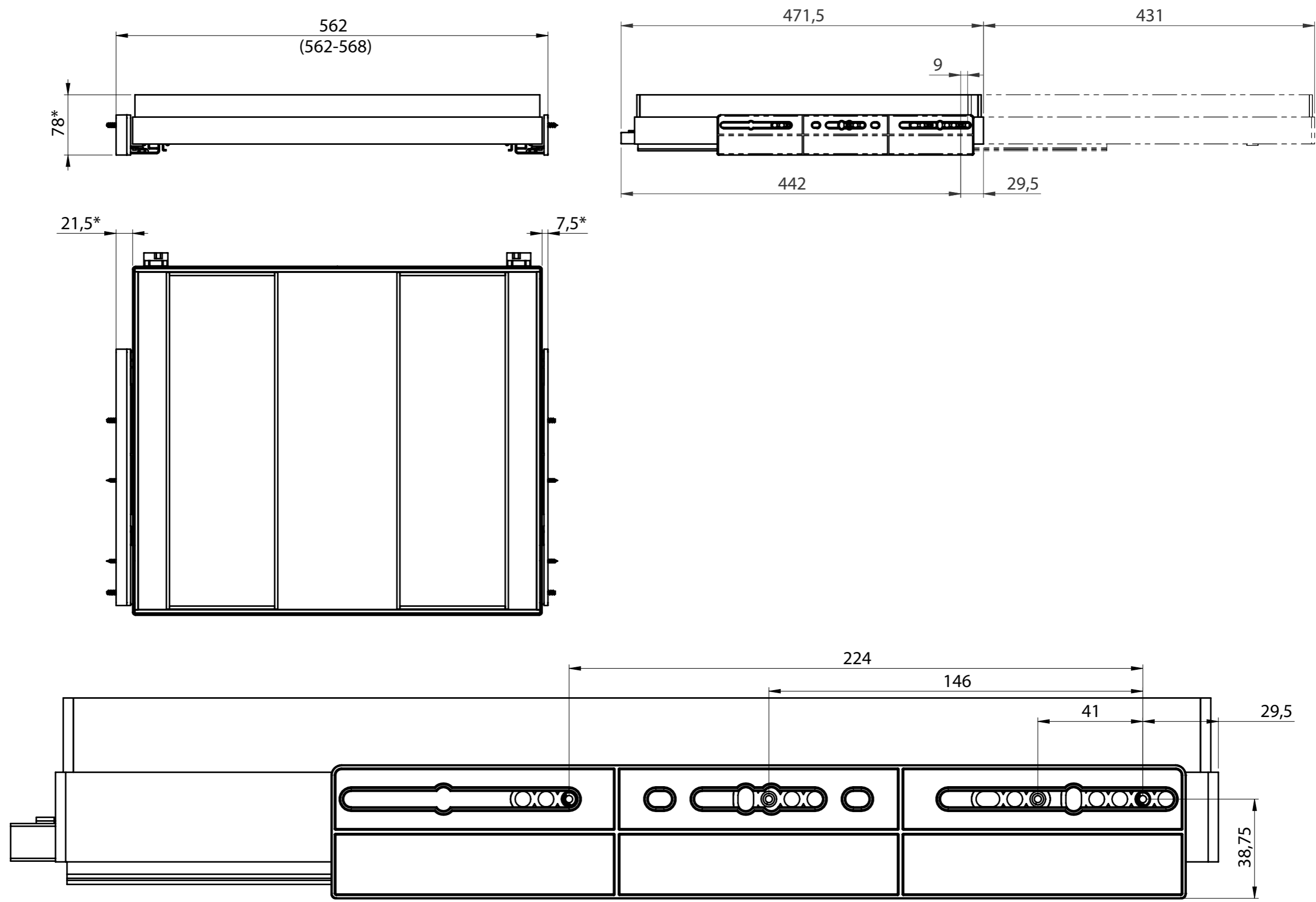












* - Informative dimensions

Approved: Vyz 2019-07-05	Design: Tor 2018-11-19	Drawing: Tor 2018-10-15	Calculated weight: 5.3112kg.	General Tolerance: ISO 2768-1 mk	Units: mm	Drawing number: 000025565	Revision: 0	
Material:						External Reference: TIR6600GRA		
Description:						Scale: 1:5	Format: A3	Sheet: 1/1